



Spare Tire Mount Installation Instructions

Covers Part #8074

Kit contents:

- Spare tire mounting bracket
- Bracket retainer (2)
- Inner spare tire mount
- Spare tire cover
- 4x17mm hex bolt
- M4x0.7mm nut
- 2.6x8mm BCS (8)

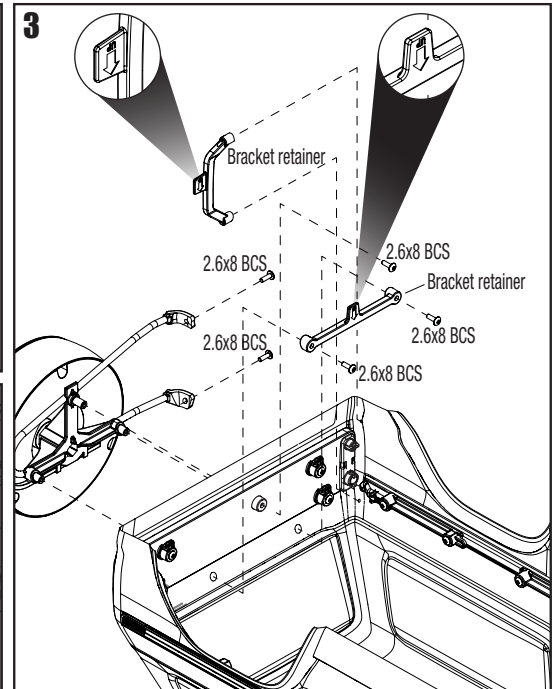
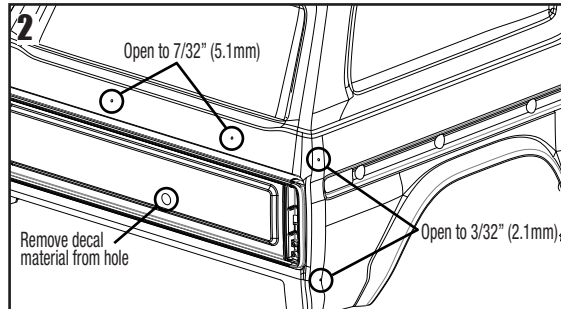
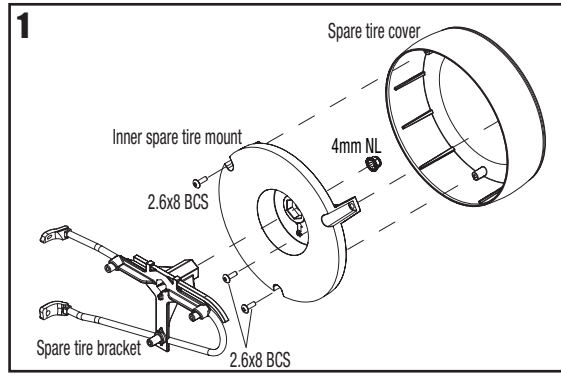
Tools required:

- 2.5mm hex wrench
- Body reamer
- Hobby knife

1. Attach the inner spare tire mount and cover to the mounting bracket using the included 4x17mm hex bolt, M4x0.7mm nut, and 2.6x8 BCS (3).

2. Use a body reamer and hobby knife to open mounting holes as indicated.

3. Attach the mounting bracket to the body using the retainers (2) and the remaining 2.6x8mm BCS (5).



TRAXXAS.COM

Traxxas, 6250 Traxxas Way, McKinney, TX 75070, Phone: 972-549-3000, Fax: 972-549-3011, e-mail: support@Traxxas.com

KC2585-R00 Rev 180207